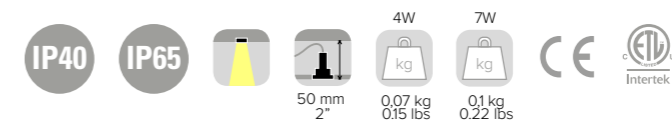
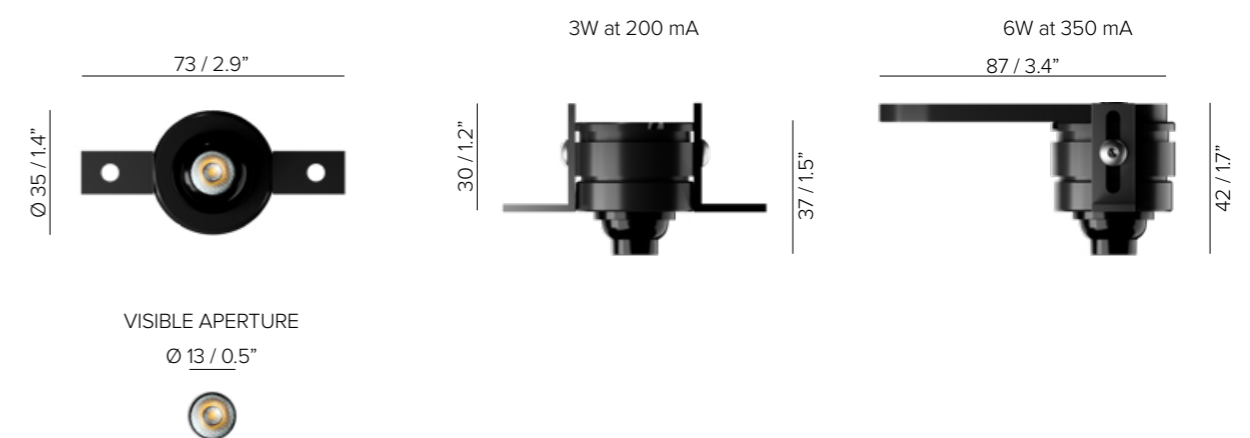


DOT IN LINE NEW



SPECIFICATIONS

base code	64056
typology	Invisible dot of 13 mm / 0.5" hiding a compact glare free downlight
mounting	In wood, stone or composite material from above the ceiling using height adjustable brackets for ceiling thickness from 3 mm / 0.1" to 21 mm / 0.8"
length	73 mm / 2.9"
width	35 mm / 1.4"
height	4W: 37 mm / 1.5". 7W: 42 mm / 1.7"
required depth	50 mm / 2"
construction	Fixture and flange: turning and milling aluminum. Lens: PMMA. Cap: polycarbonate
finishes	Heat sink anodized
ingress protection	IP40 or IP65. North America damp or wet location
lamp type	LED array on printed circuit board. Remote power supply not included
lamp wattage	4W or 7W at 24V DC (Min / max operating voltage: 20V - 30V). North America 3W at 200 mA or 6W at 350 mA
lamp lumens	4W: 330lm. 7W: 660lm
delivered lumens	4W: 260lm. 7W: 451lm
lumen maintenance	50.000h L90
beam	40°
kelvin	2700K CRI93, 3000K CRI93 or 4000K CRI93 / 3 step MacAdam ellipse
special features	Protection against wrong connections - Two wires dimming. Designed with innovative lens technology, delivers glare free light. UGR<19
dimming options	Push button, potentiometer, 0-10V, DALI, DMX, KNX. Dimming options depend on power supply and additional control units to be separately ordered as accessories
standards	CE, ETL listed for wet location



DOT IN LINE

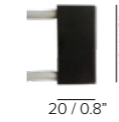
ORDER CODE

BASE CODE

64056

A . POWER SUPPLY

2 24V DC power supply NOT included



U listed 200/350 mA power supply NOT included

B . KELVIN

- 4 4000K CRI93
- 5 3000K CRI93
- 8 2700K CRI93

C . DIFFUSER

5 flood 40°

BASE CODE

Example: **64056** A B C D E F = **2 5 5 2 B A** = **64056-2552BA**

D . FINISHES

2 black

E . OTHER

- B IP40
- C IP65

F . OUTPUT

- A 4W (24V DC) 3W (200 mA)
- B 7W (24V DC) 6W (350 mA)

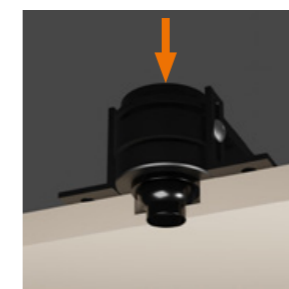
ACCESSORIES

REQUIRED ACCESSORIES - NOT INCLUDED

	code	output power	input voltage / frequency	IP	dimensions mm
Power supply 24V DC*, ON/OFF max No. fixtures	69041	18W / max 2	198-264V 50-60Hz	IP20	L124xW42xH30
	69054	60W / max 8	90-305V 47-63Hz	IP67	L162xW43xH32
Power supply 24V DC*, DALI max No. fixtures	69204	20W / max 2	99-264V 50-60Hz	IP20	L103xW67xH21
Power supply 24V DC*, 1-10V max No. fixtures	69212	20W / max 2	99-264V 50-60Hz	IP20	L103xW67xH21
Class 2 power supply 200/350 mA	Consult B LIGHT North America Lighting Group Network T: 212.775.6363 E: info@lightinggroupnetwork.com				

MOUNTING

1 MOUNTING ON WOOD, STONE OR COMPOSITE MATERIAL
Using height adjustable brackets



2 MAINTENANCE
Remove luminaire from above the ceiling

