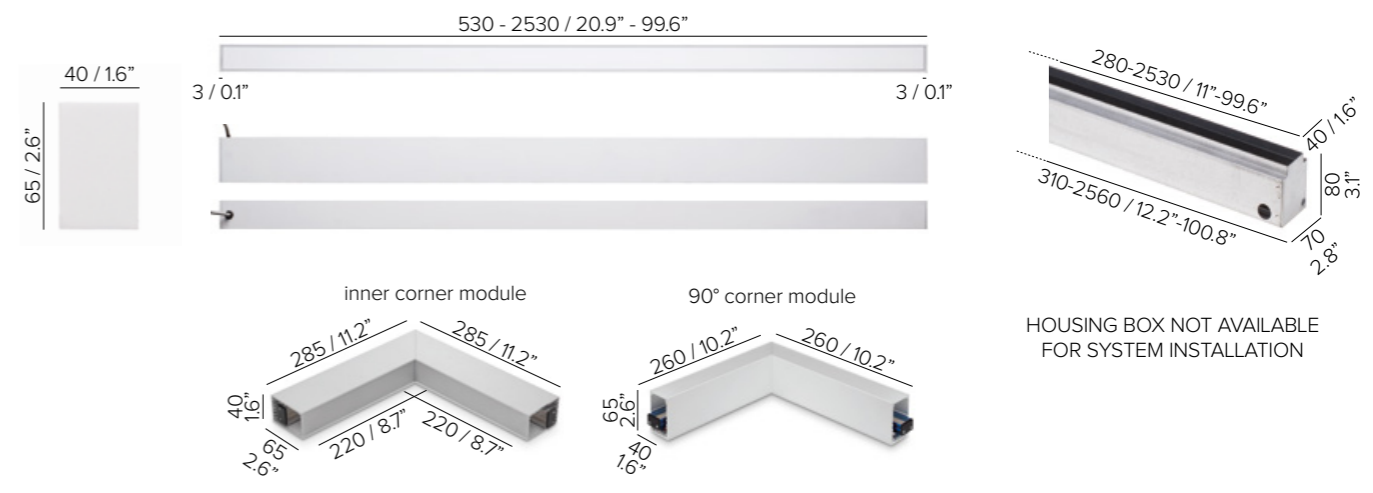


INSERTO MEDIUM 65 F

INSERTO MEDIUM 65 F SYSTEM

SPECIFICATIONS

base code	659
typology	Trimless, linear recessed luminaire with symmetrical light distribution
mounting	In plasterboard using brackets (included) or in concrete using housing box (code from 69451 to 69460) to be separately ordered as accessory
length	See next page for complete data
depth	65 mm / 2.6"
width	40 mm / 1.6"
required depth	95 mm / 3.7"
first fit requirement	Yes, housing box to be separately ordered if mounting in concrete
ceiling cut out	Plasterboard: 44 mm / 1.73" - Concrete: 70x80 mm / 2.76"x3.15"
ceiling thickness	From 10 to 15 mm MAX / from 0.4" to 0.6" MAX for plaster ceiling
construction	Extruded aluminum fixture. End caps in turning and milling aluminum. Diffuser in polycarbonate. Housing box in zinc-plated iron
finishes	Anodized or powder coated when painted
ingress protection	IP40. North America dry location
lamp type	Linear LED array on printed circuit board. PCB L 250 mm / 9.8". PCB increment 250 mm / 9.8" - 2500 mm / 98.4" max.
LED pitch	4,1 mm / 0.2" (480 LEDs per meter) Custom dimensions on request. Remote power supply not included
lamp wattage	From 20W to 100W at 48V DC. North America 24V DC
lamp lumens	PCB L 250: 825lm
delivered lumens	PCB L 250: 470lm (3000K CRI93, satin) - 655lm (3000K CRI93, microprismatic)
lumen maintenance	50.000h L90
beam	Diffused or microprismatic
kelvin	2700K CRI93, 3000K CRI93 and 4000K CRI93 / 3 step MacAdam ellipse
special features	Reverse polarity protection - Two wires dimming. Trimless profile that has a knife edge to the finished surface. Diffuse and completely homogenous light distribution across the entire surface.
dimming options	Push button, potentiometer, remote control, 1-10V, DALI, DMX, KNX. Dimming options depend on power supply and additional control units to be separately ordered as accessories
listings	CE, ETL listed for dry location



SATIN RECESSED DIFFUSER



* weight based on 530 mm / 20.9"

INSERTO MEDIUM 65 F

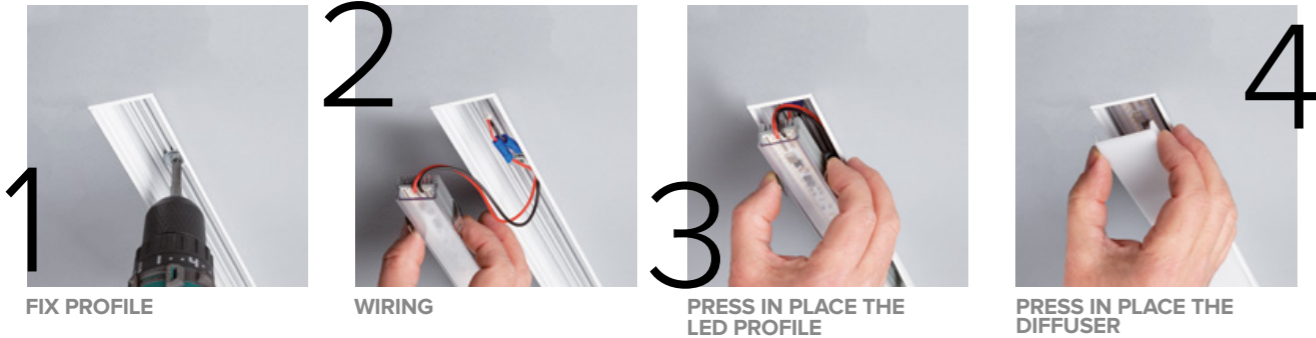
ORDER CODE

BASE CODE	A1 . LENGTH	A . POWER SUPPLY	B . KELVIN
659	52 530 mm 20 W	8 48V DC power supply NOT included R listed 24V DC power supply NOT included	4 4000K CRI93 5 3000K CRI93 8 2700K CRI93
	53 780 mm 30 W		
	54 1030 mm 40 W		
	55 1280 mm 50 W		
	56 1530 mm 60 W		
	57 1780 mm 70 W		
	58 2030 mm 80 W		
	59 2280 mm 90 W		
	60 2530 mm 100 W		

Example: BASE CODE **659** A1 **52** A **8** B **5** C **A** D **6** = **65952-85A6**

C . DIFFUSER		D . FINISHES	
A satin flush diffuser	C satin recessed diffuser	6 white RAL 9003	D black anodized
B microprismatic flush diffuser	D microprismatic recessed diffuser		

MOUNTING: TWO PROFILES IN ONE FIXTURE FOR EASY FUTURE RE-LAMPING



INSERTO MEDIUM 65 F SYSTEM

ORDER CODE

BASE CODE	A1 . LENGTH	A . POWER SUPPLY	B . KELVIN			
659	starting inserto¹		8 48V DC power supply NOT included R listed 24V DC power supply NOT included	4 4000K CRI93 5 3000K CRI93 8 2700K CRI93		
	64 527 mm 20 W					
	65 777 mm 30 W					
	66 1027 mm 40 W					
	67 1277 mm 50 W					
	68 1527 mm 60 W					
	69 1777 mm 70 W					
	70 2027 mm 80 W					
	71 2277 mm 90 W					
	72 2527 mm 100 W					
		middle inserto²				
	76 505 mm 20 W					
	77 755 mm 30 W					
	78 1005 mm 40 W					
	79 1255 mm 50 W					
	80 1505 mm 60 W					
	81 1755 mm 70 W					
	82 2005 mm 80 W					
	83 2255 mm 90 W					
	84 2505 mm 100 W					
		inner corner module²				
	89 285x285 mm 20 W					
		90° corner module²				
	90 260x260 mm 20 W					

Example: BASE CODE **659** A1 **64** A **8** B **5** C **A** D **6** = **65964-85A6**

¹ one end cap only
² no end caps

C . DIFFUSER		D . FINISHES	
A satin flush diffuser	C satin recessed diffuser	6 white RAL 9003	D black anodized
B microprismatic flush diffuser	D microprismatic recessed diffuser		

INSERTO MEDIUM 65 F INSERTO MEDIUM 65 F SYSTEM

ACCESSORIES

REQUIRED ACCESSORIES - NOT INCLUDED

	code	output power	input voltage / frequency	IP	dimensions mm
Power supply 48V DC, ON/OFF*	69180	30W	90-264V	47-63Hz IP20	L160xW46xH30
	69181	40W	90-305V	47-63Hz IP67	L163xW43xH32
	69182	60W	90-305V	47-63Hz IP67	L163xW43xH32
	69183	100W	90-264V	47-63Hz IP20	L201xW70xH35
	69188	150W	90-305V	47-63Hz IP67	L228xW68xH39
	69189	240W	90-305V	47-63Hz IP67	L244xW68xH39
Power supply 48V DC, 1-10V ⁽¹⁾	69185	40W	90-305V	47-63Hz IP67	L171xW62xH37
	69186	60W	90-305V	47-63Hz IP67	L171xW62xH37
	69187	100W	90-305V	47-63Hz IP67	L220xW68xH39
	69188	150W	90-305V	47-63Hz IP67	L228xW68xH39
	69189	240W	90-305V	47-63Hz IP67	L244xW68xH39
	Power supply 48V DC, DALI ⁽¹⁾	69195	75W	100-305V	47-63Hz IP67
69196		100W	100-305V	47-63Hz IP67	L199xW63xH36
69197		150W	100-305V	47-63Hz IP67	L219xW63xH36
¹ for a perfect dimming, it is necessary that the power supply is saturated to 100%					
Power supply 48V DC, 1-10V and DALI	69096	55W	99-264V	50-60Hz IP20	L129xW76xH30
Power supply 48V DC, 0-10V	69097	120W	90-305V	47-63Hz IP67	L191xW63xH38
Class 2 power supply 24V DC	Consult B LIGHT North America Lighting Group Network T: 212.775.6363 E: info@lightinggroupnetwork.com				

OPTIONAL ACCESSORIES

code	description	dimensions mm
69452 / 69460	Housing box for concrete Non available for system installation	L560xW70xD80
69452	housing box	L810xW70xD80
69453	housing box	L1060xW70xD80
69454	housing box	L1310xW70xD80
69455	housing box	L1560xW70xD80
69456	housing box	L1810xW70xD80
69457	housing box	L2060xW70xD80
69458	housing box	L2310xW70xD80
69459	housing box	L2560xW70xD80
69460	housing box	L2560xW70xD80

INSERTO MEDIUM 65 F SYSTEM

INSERTO MEDIUM 65 F SYSTEM - CEILING MOUNTING

CEILING = L 2037 x L 2787 mm

