



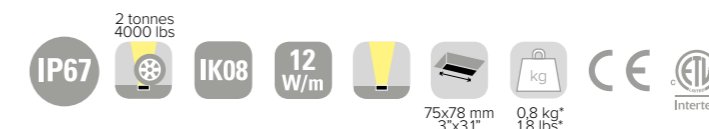
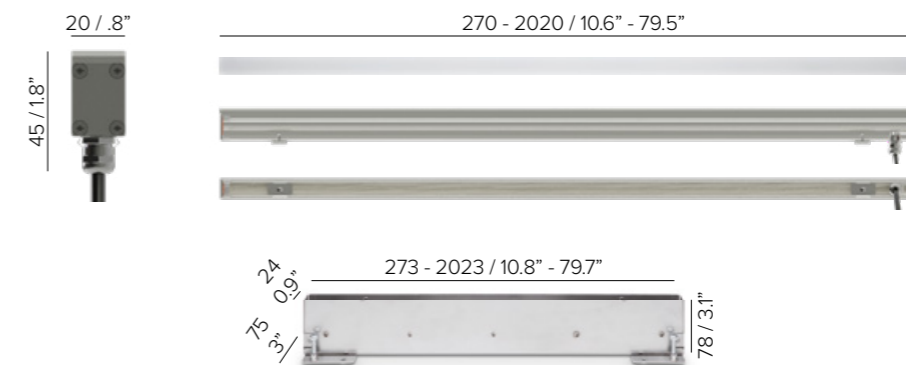
DIFFUSE AND COMPLETELY HOMOGENOUS LIGHT DISTRIBUTION ACROSS THE ENTIRE SURFACE



INSERTO MINI DO

SPECIFICATIONS

base code	679
typology	In-ground linear luminaire with a drive over load of 2 tonnes / 4000 lbs
mounting	Using housing box to be separately ordered as accessory
length	Available in four lengths, from 270 to 2020 mm / from 10.6" to 79.5"
height	45 mm / 1.8"
width	20 mm / 0.8"
required depth	94 mm / 3.7"
first fit requirement	Yes, separate housing box to be separately ordered (code from 69415 to 69420). Millimetric height adjustment from 0 to 50 mm / from 0" to 2"
floor cut out	75x78 mm / 3"x3.1"
construction	Fixture in extruded PMMA. End caps in stainless steel AISI 304 complete with silicone gaskets. Housing box in stainless steel AISI 304
finishes	Powder coated
ingress protection	IP67. North America wet location. Built-in protection from water infiltration and moisture
lamp type	Linear LED array on printed circuit board. PCB L 250 mm / 9.8". PCB increment 250 mm / 9.8" - 1000 mm / 39.4" max. Custom dimensions on request. Remote power supply not included
LED pitch	5,6 mm / 0.2" (180 LEDs per meter)
lamp wattage	From 3W to 24W at 48V DC. North America 24V DC
lamp lumens	PCB L 250: 300lm
delivered lumens	PCB L 250: 65lm
lumen maintenance	50.000h L90
beam	Diffused
kelvin	2700K CRI93, 3000K CRI93 and 4000K CRI93 / 3 step MacAdam ellipse
special features	Unpolarized electronic system - Safe wiring - Two wires dimming - Water stop technology. Diffuse and completely homogenous light distribution across the entire surface
dimming options	Push button, potentiometer, remote control, 1-10V, DALI, DMX, KNX. Dimming options depend on power supply and additional control units to be separately ordered as accessories
listings	CE, ETL listed for wet location



* weight based on 250 mm / 9.8"



INSERTO MINI DO

ORDER CODE

BASE CODE	A1. LENGTH	A. POWER SUPPLY	B. KELVIN	C. DIFFUSER
679	25 270 mm 3 W 26 520 mm 6 W 27 770 mm 9 W 28 1020 mm 12 W 30 2020 mm 24 W	8 48V DC power supply NOT included R listed 24V DC power supply NOT included	4 4000K CRI93 5 3000K CRI93 8 2700K CRI93 D 2200K CRI90	1 frosted PMMA

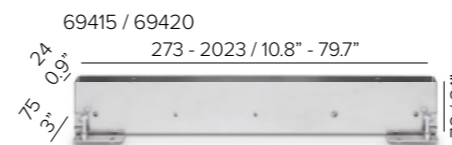
Example: BASE CODE **679** A1 **25** A **8** B **4** C **1** D **6** = **67925-8416**

D. FINISHES

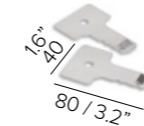
6 white

ACCESSORIES

REQUIRED ACCESSORIES - NOT INCLUDED



69591



Power supply
48V DC, ON/OFF*

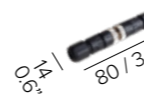
Power supply
48V DC, 1-10V[®] or ON/OFF*
ambient temperature up to 60°C

Power supply
48V DC, DALI[®]

Power supply
48V DC, 1-10V and DALI

Class 2 power supply
24V DC

69849



code	description	dimensions mm
69415	height adjustable housing box	L273xW75xD94
69416	height adjustable housing box	L523xW75xD94
69417	height adjustable housing box	L773xW75xD94
69418	height adjustable housing box	L1023xW75xD94
69420	height adjustable housing box	L2023xW75xD94

code	description	dimensions mm
69591	No.2 keys for the extraction of the luminaire	W80xD40

code	output power	input voltage / frequency	IP	dimensions mm
69180	30W	90-264V	47-63Hz	IP20 L160xW46xH30
69185	40W	90-305V	47-63Hz	IP67 L171xW62xH37
69186	60W	90-305V	47-63Hz	IP67 L171xW62xH37
69187	100W	90-305V	47-63Hz	IP67 L220xW68xH39

69195	75W	100-305V	47-63Hz	IP67 L180xW63xH36
69196	100W	100-305V	47-63Hz	IP67 L199xW63xH36

*for a perfect dimming, it is necessary that the power supply is saturated to 100%

69096	55W	99-264V	50-60Hz	IP20 L129xW76xH30
-------	-----	---------	---------	-------------------

Consult **B LIGHT North America**
Lighting Group Network
T: 212.775.6363
E: info@lightinggroupnetwork.com

code	description	dimensions mm
69849	IP68 connector, 1 IN - 1 OUT, 3 wires	Ø14xH80